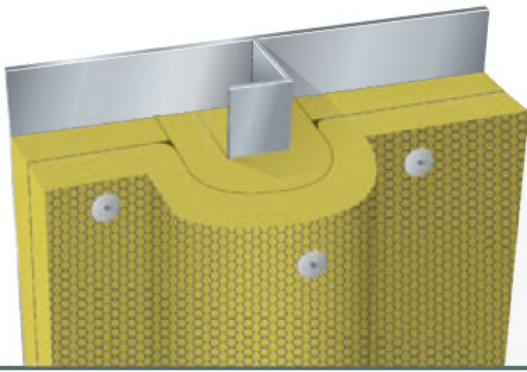


# H-120 Steel Bulkhead restricted



- Product:** Rockwool HC Firebatts 150  
Rockwool HC Wired Mat 150
- Density:** 150 kg/m<sup>3</sup>
- Thickness:** Plate: 30 mm +40 mm insulation  
Stiffener: 2x40 mm insulation

## Construction:

- Plate insulated with one layer of 30 mm HC Firebatts 150 and one layer of 40 mm HC Wired Mat 150
- Stiffeners insulated with min. 2x40 mm Rockwool HC Wired Mat 150. Second layer in the same process as insulation of the plate.
- Standard steel plate 4.5 mm ( $\pm$  0.5 mm) thick.
- $\varnothing$ 3 mm pins fixed with approx 300 mm distance.
- Insulation secured by washers of  $\varnothing$ 38 mm

## Application notes:

- Restricted application (fire against insulated side)
- All the connections must be tight, no air gaps.
- Gap under the stiffener must be filled out completely.
- Joints between layers must be staggered, 150 mm overlap is recommended.
- The pins should exceed the insulation by approx 10 mm.
- Wire mesh must be twisted together at joints.

- Insulation can be placed on either side of the steel plate.

## Advantages:



**Safe solution**



**Optimal sound properties**



**Fast installation**

## Surfaces:

- Reinforced aluminium foil

