

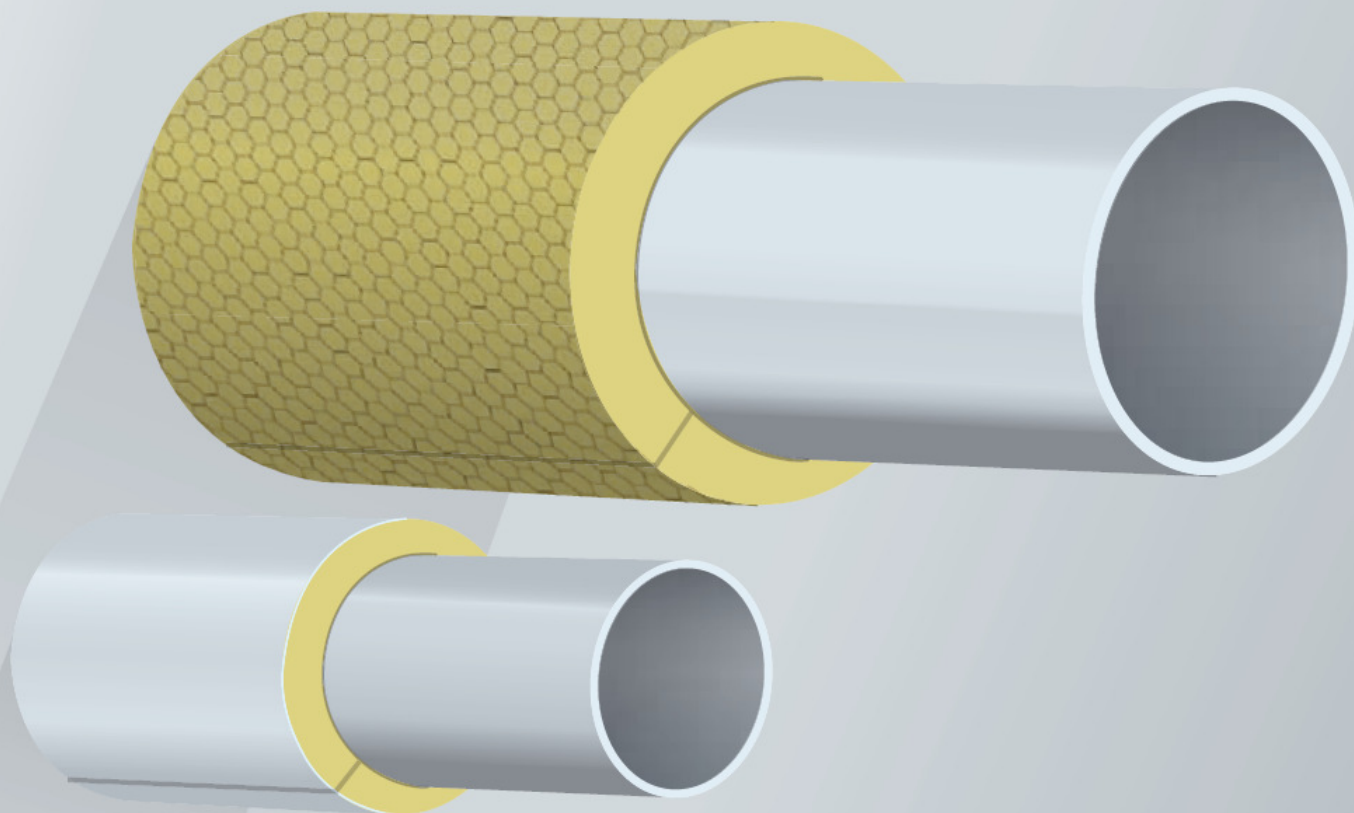
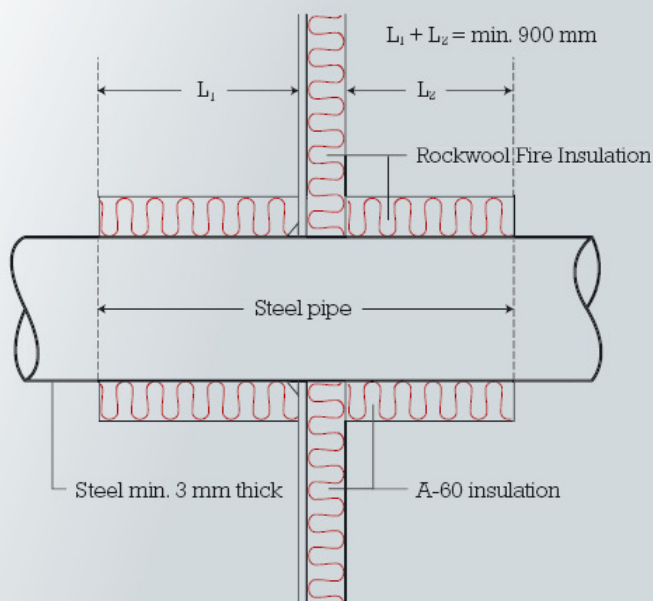
# Penetrations

## Penetrations of fire protection

When pipes, ducts or other go through a bulkhead or deck it is called a penetration. There are special rules regarding insulation when the decks or bulkheads with fire class are penetrated.

The pipe going through a fire classed structure must be made of steel and must have a length of minimum 900 mm. IMO suggests to use min. 450 mm on each side of the construction.

The min. 900 mm insulation must have the same insulation class weight as the structure that is penetrated.



SOLAS, Chapter II-2, Regulation 9, sec 3:

*“The duct spool must be insulated with A-rated fire insulation for a distance of either side of the bulkhead or deck ( $L_1 + L_2 = 900$  mm)”*