



# NIPPON KAIJI KYOKAI

## Certificate

Certificate No.

11EQ549FPA(AL)-1

OF

APPROVAL

Item : A-60 class bulkhead  
Product name : A-60 Bulkhead 2×30mm Rockwool Marine Firebatts 130  
Specification : See Annex.  
Manufacturer : Rockwool A/S  
Hovedgaden 501, 2640 Hedehusene, Denmark  
Testing standard : IMO FTP Code Annex1 / Part 3  
Test report  
Test laboratory : Danish Institute of Fire and Security Technology  
Report number : G10096  
Test laboratory : Registro Italiano Navale  
Report number : 2010CS011159/1

THIS IS TO CERTIFY that the above type of products has been approved by Nippon Kaiji Kyokai with type approval No. 96FPA16DA, and that the products of the above type will be accepted for use onboard ships classed with the Society as complying with the relevant requirements of the Society's *Rules for the Survey and Construction of Steel Ships* and those of the *International Convention for the Safety of Life at Sea, 1974, as amended*, subject to the approval of the flag Administration and conditional upon the manufacturer having a quality control system audited by a competent authority to ensure continuous compliance with the type approval conditions.

This certificate is valid until 24th September, 2015.

Issued at Tokyo on 27th June, 2011.

NIPPON KAIJI KYOKAI

H. Takano

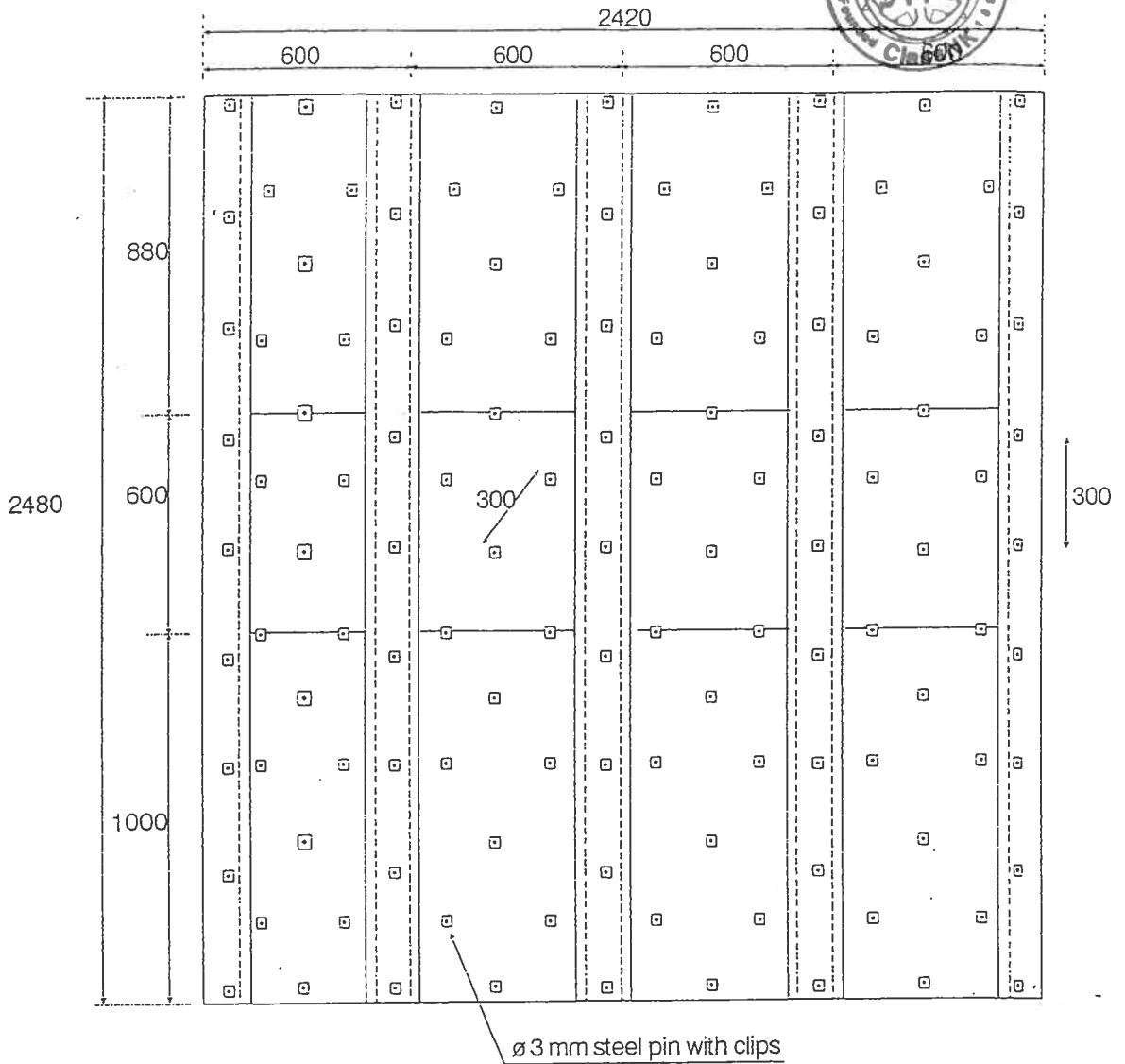
General Manager

Material and Equipment Department

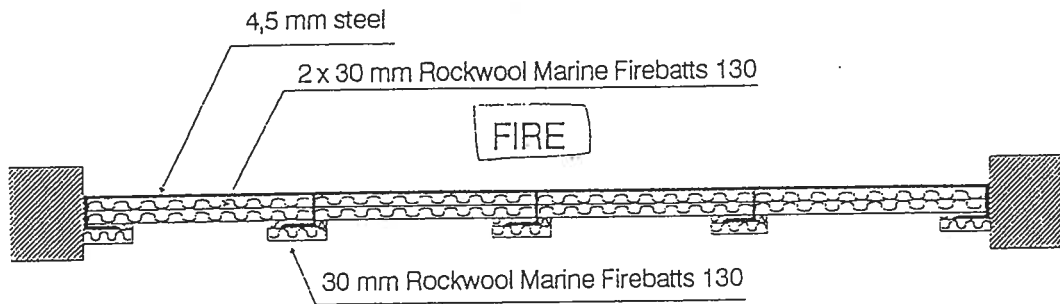


Initial approval date : 25th September, 1996

Note : This certificate has been re-issued due to an additional specification.



|  |  |   |
|--|--|---|
| <p style="font-size: 1.2em; margin: 0;">Rockwool A/S</p> | <p>A-60 bulkhead<br/>fire insulated with<br/>2x30 mm Rockwool Marine Fire batts 130.</p> | <p>Drawing nr.:</p> <p style="font-size: 1.5em; text-align: center; margin-top: 10px;">1b</p> |
| <p>Date: 13.12.1995</p>                                  |  |   |



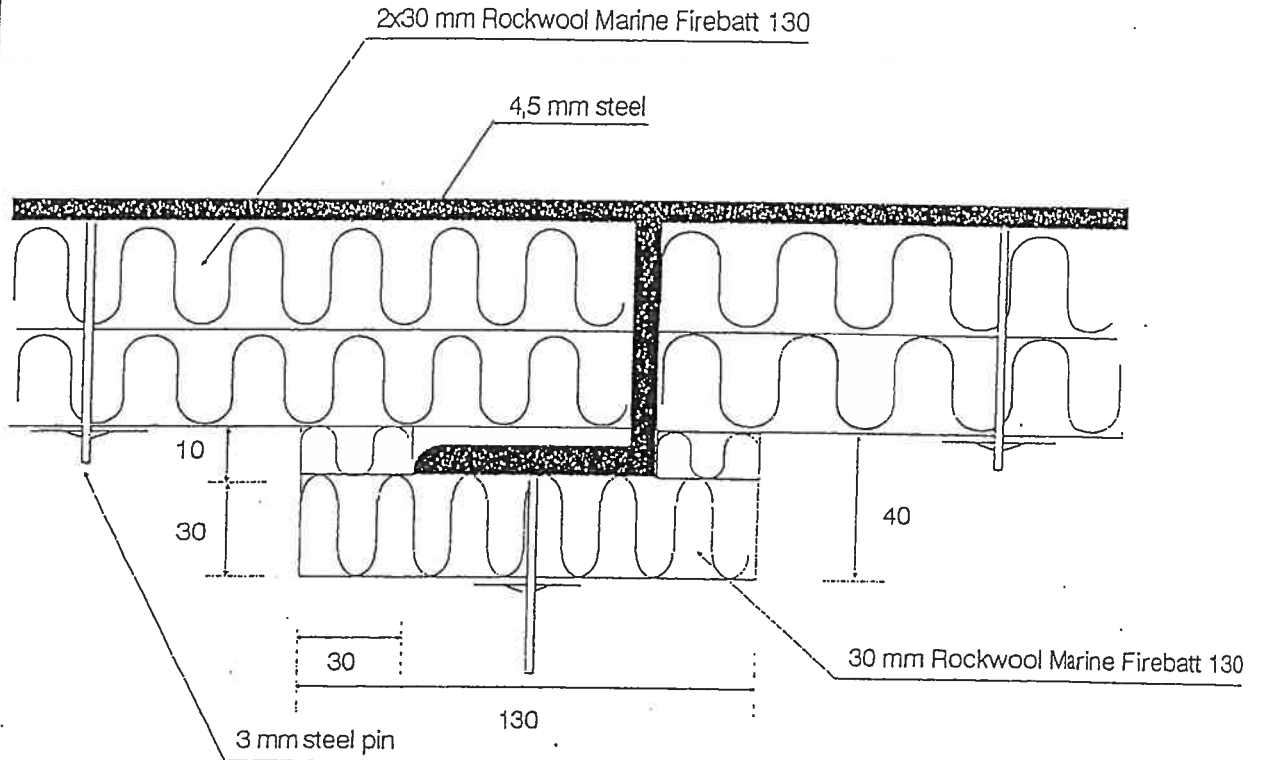
Rockwool A/S

A-60 bulkhead  
fire insulated with  
2x30 mm Rockwool Marine Fire batts 130.

Date: 13.12.1995

Drawing nr.:

2b



Rockwool A/S

A-60 bulkhead  
fire insulated with  
2x30 mm Rockwool Marine Fire batts 130.

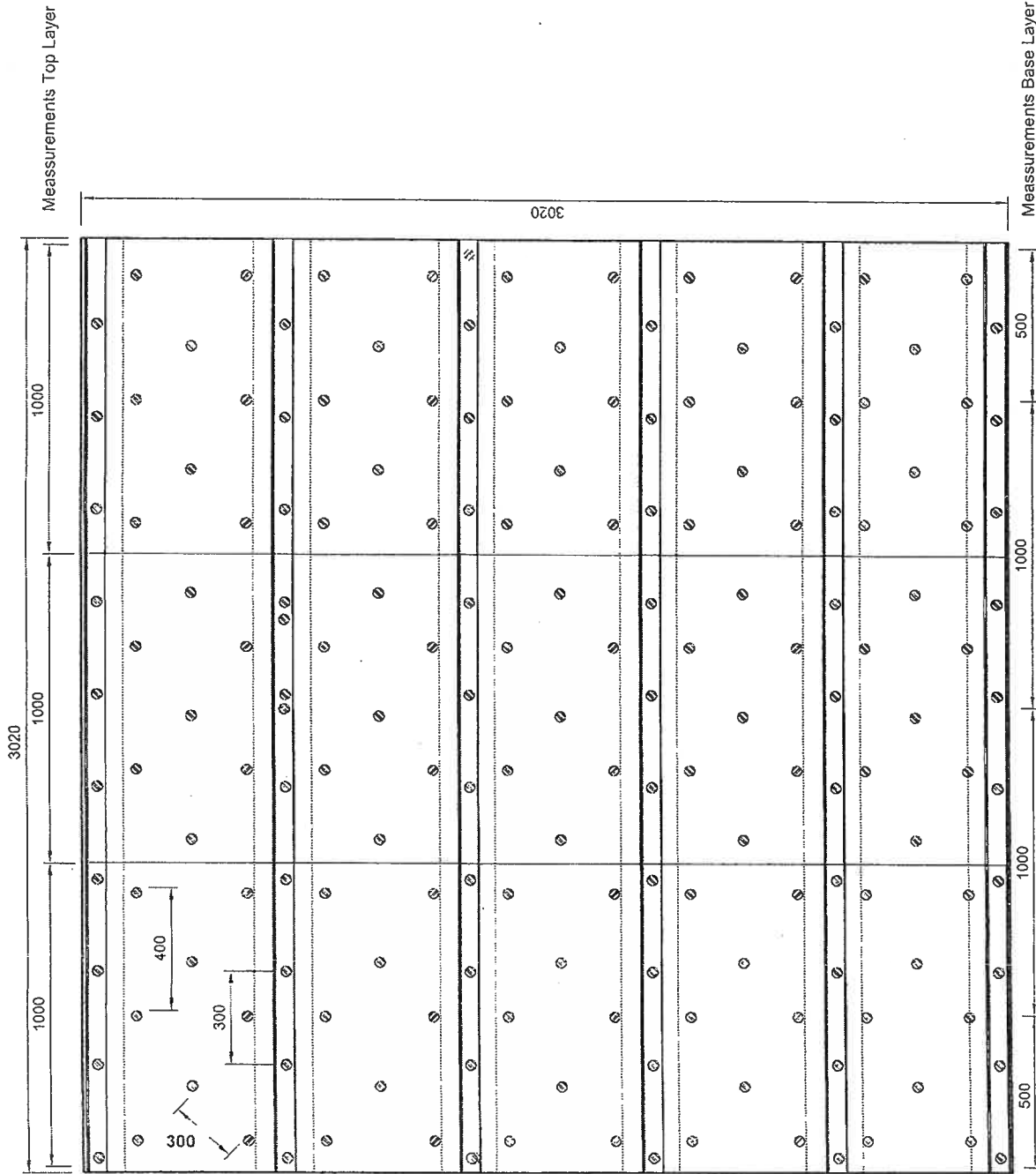
Drawing nr.:

3b

Date: 13.12.1995



**Rockwool**  
 FIRE SAFE INSULATION

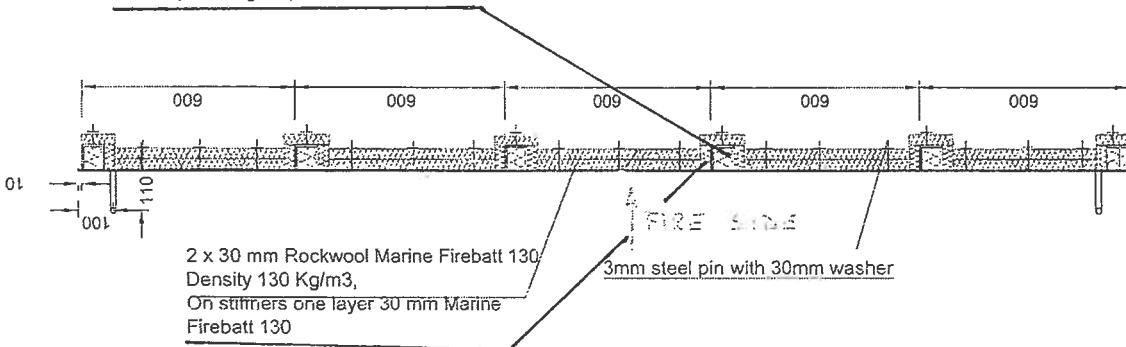


All measurements in mm

Subject: Bulk A60 MFB 130      Date: 10/08/11

Dwg No.: 10 MRJ 03      Scale: 1:20      Rev.: 10/08/11      Designer: KMP

2 x 30 mm Rockwool Marine Firebatt 130  
Density 130 Kg/m<sup>3</sup>.



2 x 30 mm Rockwool Marine Firebatt 130  
Density 130 Kg/m<sup>3</sup>,  
On stiffeners one layer 30 mm Marine  
Firebatt 130

3mm steel pin with 30mm washer

10 MRJ 03